

DIAPHRAGM



107 SERIES

PRESSURE/VACUUM

(AC & DC VOLTAGES)

BASE MODELS

AC Voltage

107AB18XFTLBXX

(110/50/1 & 115/60/1)

107CDU18XFTLBXX

(220-230/50/1 & 230/60/1)

DC Voltage

1071220IFTLBXX

(12 Volt)

CUSTOM CONFIGURED OPTIONS

AC Voltage

- Stroke (Flow and/or pressure)
- Pump Restart
- Head Orientation
- Electrical Cord
- Diaphragm
- Fan Guard
- Protective Coating

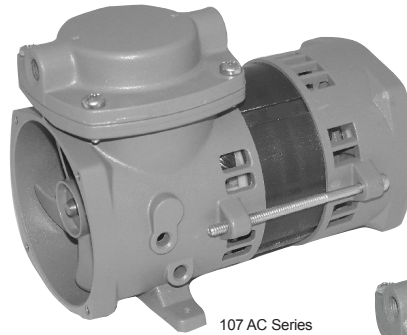
DC Voltage

- Voltage
- Head Orientation
- Diaphragm
- Front Cover
- Protective Coating

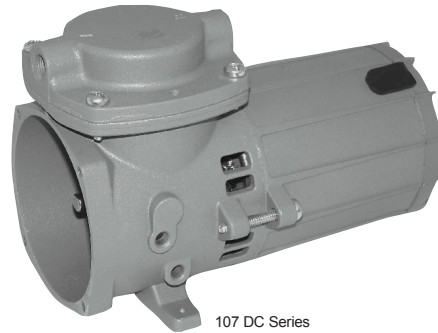
AFTERMARKET SERVICE KITS

SK107MAJB (Buna-N)

SK107MAJN (Nordel)



107 AC Series



107 DC Series

FEATURES (BENEFITS)

- Oil-less operation (Clean air stream, less maintenance)
- Permanently lubricated bearings (Optimum life)
- Stainless steel valves (Optimum life, consistent performance, corrosion resistance)
- Die-cast aluminum components (Strong, lightweight, durable)
- Dynamically balanced (Low operating vibration)
- Durable diaphragm design (Optimum life)
- Field service capability (Maximum return on investment)
- Thermally protected motor (Fail-safe operation) AC Series
- Designed and tested per Agency standards (Fail-safe operation)
- Inlet filter/exhaust muffler (Quiet, clean operation)
- RoHS compliant AC Voltage (Green, eco-friendly)

Declaration documentation for applicable models available upon request

Qualified OEM designers should consult factory for purchase or custom configurations

- 920-457-4891 or td.usa@gardnerdenver.com

Thomas Division is an ISO 9001 registered company

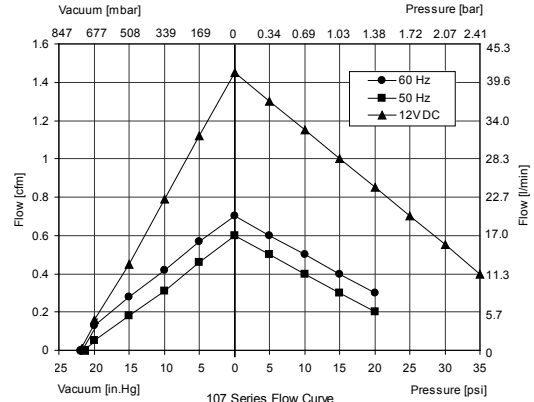
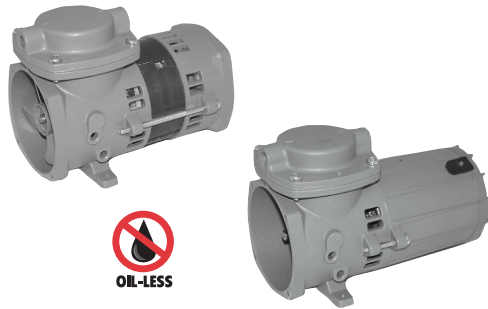
THOMAS
A Gardner Denver Product



Diaphragm 107 AC/DC Series



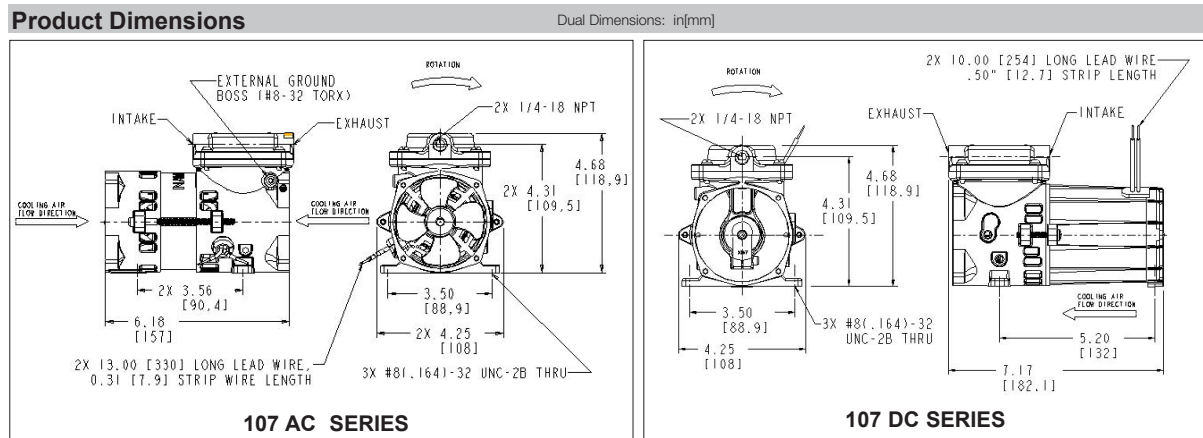
Flow 0.7/1.4 cfm (19.8/39.6 l/min)
Max. pressure 20 psi (1.4 bar)/35 psi (2.4 bar)
Max. vacuum 75% local barometer



Model Number	107AB18XFTLBXX	107CDU18XFTLBXX	1071220IFTLBXX
Performance Data			
Head configuration	Pressure/vacuum	Pressure/vacuum	Pressure/vacuum
Stroke	0.18 in (4.57 mm)	0.18 in (4.57 mm)	0.20 in (5.08 mm)
Nominal voltage/frequency	110V 50Hz/115V 60Hz	220-230V 50Hz/230V 60Hz	12V DC [24V DC]
Maximum open air flow	0.6/0.7 cfm (17.0/19.8 l/min)	0.6/0.7 cfm (17.0/19.8 l/min)	1.4 cfm (39.6 l/min)
Maximum operating pressure	20 psi (1.4 bar)	20 psi (1.4 bar)	35 psi (2.4 bar)
Current at rated pressure	2.2/1.7A	1.0/0.8A	6.9A [3.6A]
Power at rated pressure	136/107W	120/100W	83W [85W]
Speed at rated pressure	1260/1630 rpm	1220/1620 rpm	2970 rpm [2757 rpm]
Maximum pressure restart	Consult factory	Consult factory	15 psi (1.03 bar)
Maximum vacuum	75% local barometer	75% local barometer	75% local barometer
Maximum vacuum restart	Consult factory	Consult factory	Max. vacuum

Electrical Data			
Motor type	Shaded pole	Shaded Pole	Permanent Magnet
Motor in-rush current	3.1/2.8A	1.2/1.2A	40.0A [18.0A]
Motor insulation class	B	B	B
Thermal switch [Open temperature]	Yes [275°F (135°C)]	Yes [284°F (140°C)]	No
Line lead wire color, gauge	White/white, 18 AWG	Red/white, 18 AWG	Red/black, 18 AWG

General Data			
Operating ambient air temperature	50° to 104°F (10° to 40°C)	50° to 104°F (10° to 40°C)	50° to 104°F (10° to 40°C)
Safety certification	UL, CSA	UL	Consult factory
Net weight	5.1 lbs (2.3 kg)	5.1 lbs (2.3 kg)	4.5 lbs (2.0 kg)



107 SERIES

©2011 Gardner Denver Thomas, Inc.
 All rights reserved.
 Form No. 850-4000 11/14

The information presented in this material is based on technical data and test results of nominal units. It is believed to be accurate and reliable and is offered as an aid to help in the selection of Thomas Division products. It is the responsibility of the user to determine the suitability of the product for its intended use and the user assumes all risk and liability whatsoever in connection therewith. Thomas Division does not warrant, guarantee or assume any obligation or liability in connection with this information. **NOTE:** Models pictured are representative of the series and do not represent a specific model number. Consult factory for detailed physical description.